

*Lubrication solutions
to keep systems
running smoothly*

DF

Gravity Feed Lubricators

DF - Gravity Feed Lubricators

The DF lubricators can drip oil directly on to cams, gears or slideways or brush oil on to chains.

These DF lubricators are ideal for small industrial or agricultural applications, when the installation of automatic lubrication is not viable.

Both "DF" versions of the gravity feed lubricator are available as solenoid operated and manually operated and are supplied as standard with:

- Steel mounting plate/lid
- Oil filler cap
- Robust polypropylene reservoir 1/2, 1 or 2 liter
- Fully adjustable drip-feed regulator with sight glass



Solenoid

12V/24V DC electric shut-off valve is designed to be connected to the machine. When the machine is shut off the solenoid will automatically isolate, preventing over lubrication if the machine is not in operation.



Manual

Manual shut-off valve.



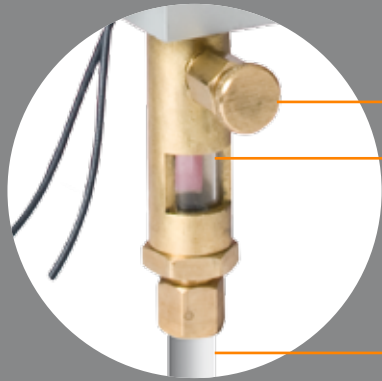
◀ Fig 1: Solenoid



◀ Fig 2: Manual

The Solenoid version also is available without the drip-feed regulator when multiple drip-feeds are required.





Adjustment

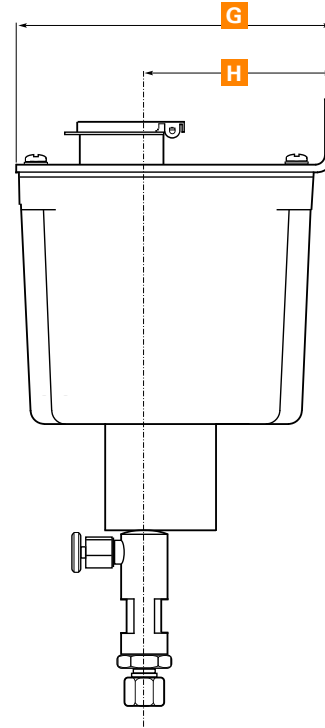
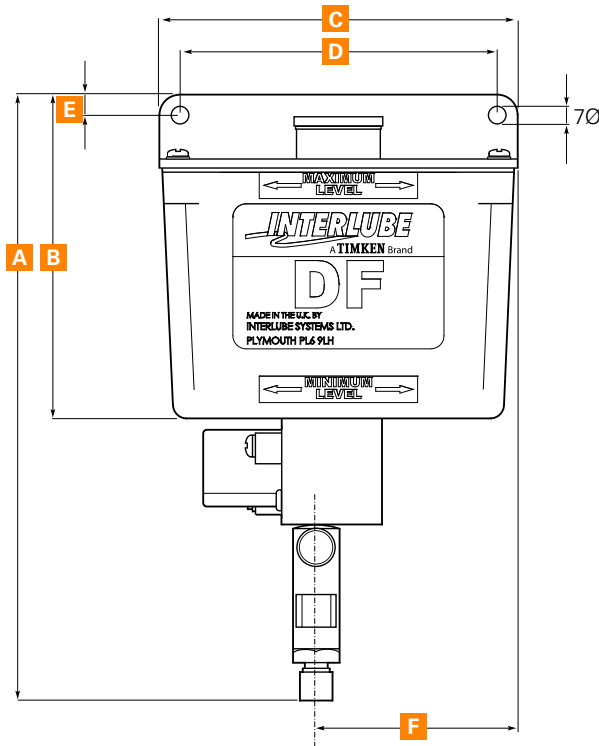
Sight Glass

4 mm (0.16 in.) O.D.

Technical Info

Temp Range: Up to 100° C (212° F)
 Reservoir: Polypropylene
 Mounting Bracket: Plated Steel
 Mounting Holes: 7 mm (0.27 in.) O.D.
 Outlet Size: 0.16 in. (4 mm) O.D. compression
 Voltage: 12V or 24V DC

Polypropylene has excellent chemical, temperature and fatigue resistance.



Manual Version

(Dimensions mm)

Part No	Reservoir Size	A	B	C	D	E	F	G	H
DF1100	(2) liter - 4.24 pints	303	186	142	120	11	79	151	80
DF1200	(1) liter - 2.12 pints	241	123	136	120	8	76	120	63
DF1300	(0.5) liter - 1.06 pints	247	129	115	98	8	66	85	47

12V DC Solenoid Version

DF2110	(2) liter - 4.24 pints	293	186	142	120	11	79	151	80
DF2210	(1) liter - 2.12 pints	230	123	136	120	8	76	120	66
DF2310	(0.5) liter - 1.06 pints	236	129	115	98	8	66	85	47

24V DC Solenoid Version

DF2120	(2) liter - 4.24 pints	293	186	142	120	11	79	151	80
DF2210	(1) liter - 2.12 pints	230	123	136	120	8	76	120	66
DF2220	(0.5) liter - 1.06 pints	236	129	115	98	8	66	85	47



Interlube automated lubrication delivery systems and related components help increase plant and vehicle productivity, reduce process downtime and boost profitability for markets including commercial vehicles, construction, mining, and heavy and general industries.

TIMKEN

The Timken team applies their know-how to improve the reliability and performance of machinery in diverse markets worldwide. The company designs, makes and markets high-performance mechanical components, including bearings, gears, belts, chain and related mechanical power transmission products and services.

Stronger. Commitment. Stronger. Value. Stronger. Worldwide. Stronger. Together. | Stronger. By Design.

www.interlubesystems.co.uk